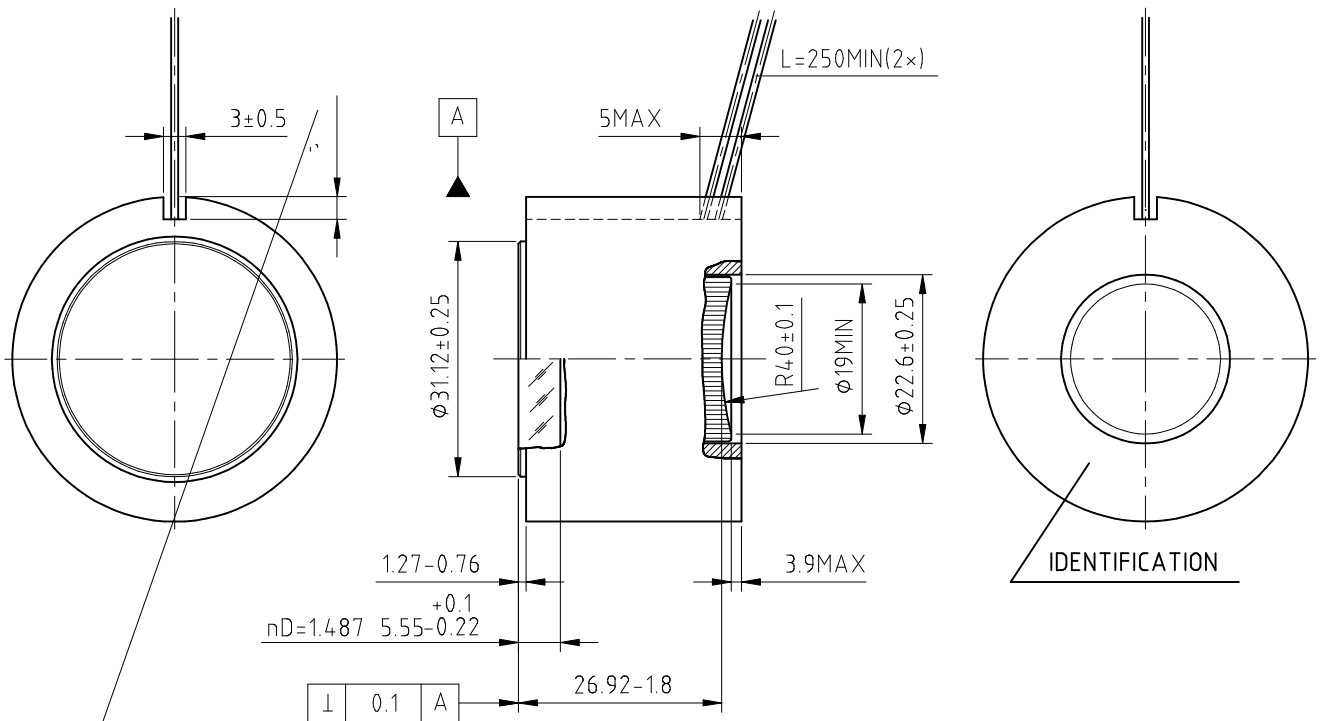


NOTE 1: REFERENCE CIRCLE **A** IS THE CYLINDER WITH THE SMALLEST DIAMETER THAT FITS AROUND THE PLASTIC HOUSING.

2: RED WIRE = +2,7V DC
 BLACK WIRE = -(GROUND)



A0 9-3-92
 A1 15-1-93
 A2 7-11-96

183-0047A2