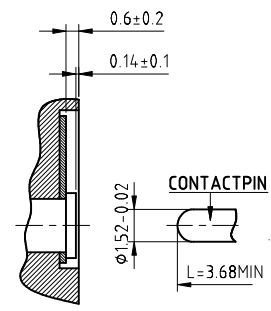
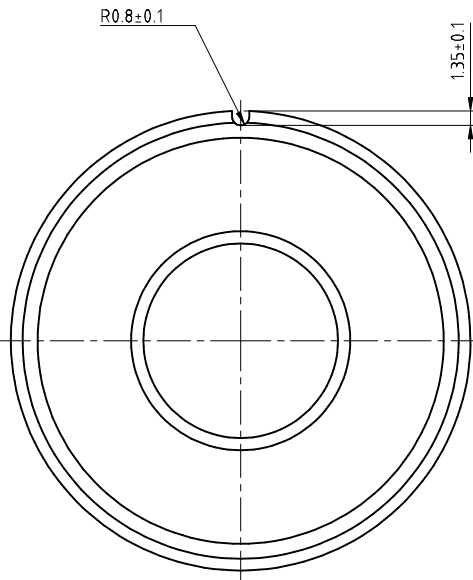
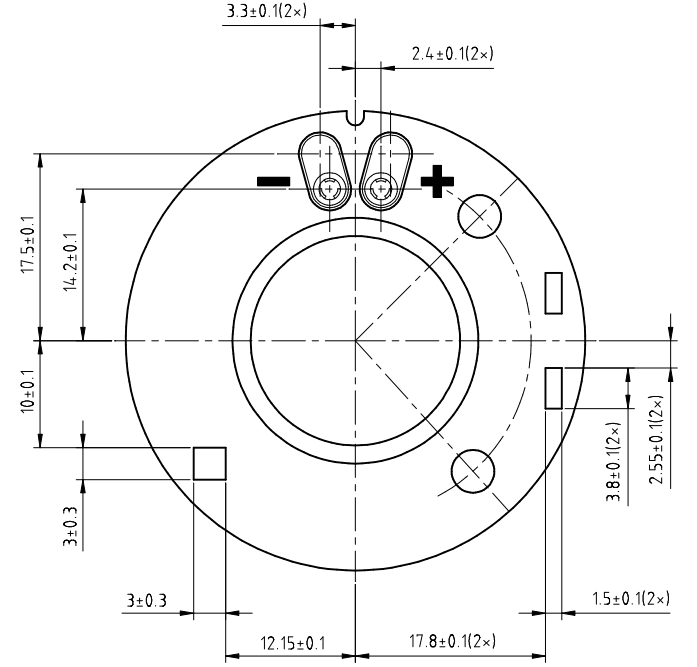
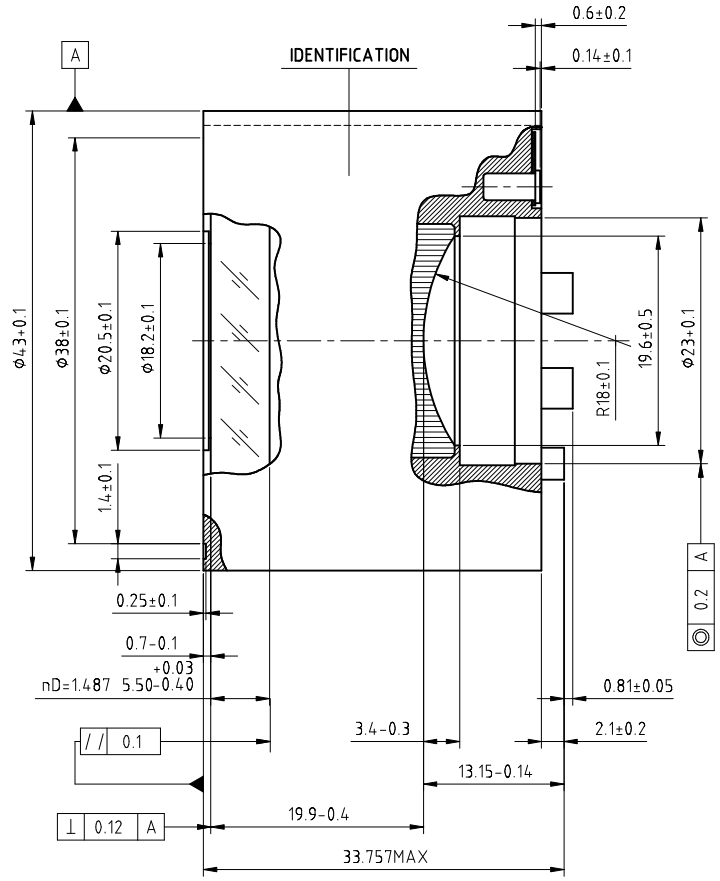


NOTE 1: REFERENCE CIRCLE [A] IS THE CYLINDER WITH THE SMALLEST DIAMETER THAT FITS AROUND THE PLASTIC HOUSING
2: + CONTACT = +2.7V DC
- CONTACT = -(GROUND)
3: CONTACTPIN DIAMETER 1.5mm



	new	cancelled		new	cancelled
A1	$\phi 20.5 \pm 0.1; 5.50-0.23$	$\phi 20.3 \pm 0.1; 5.55-0.23; 30^\circ$			



	ISO 128		screw thread ISO 965	finish ISO 1302	material:	drawn: JK	A0	2-8-00	
	A4	glass ISO 10110	geometr. tolerances ISO 1101	dimensions: mm	scale:		A1	9-4-01	
IMAGE INTENSIFIER XX1950,XX2050,XX2550							sheet: 1 of 1		
							183-0769A1	TV	